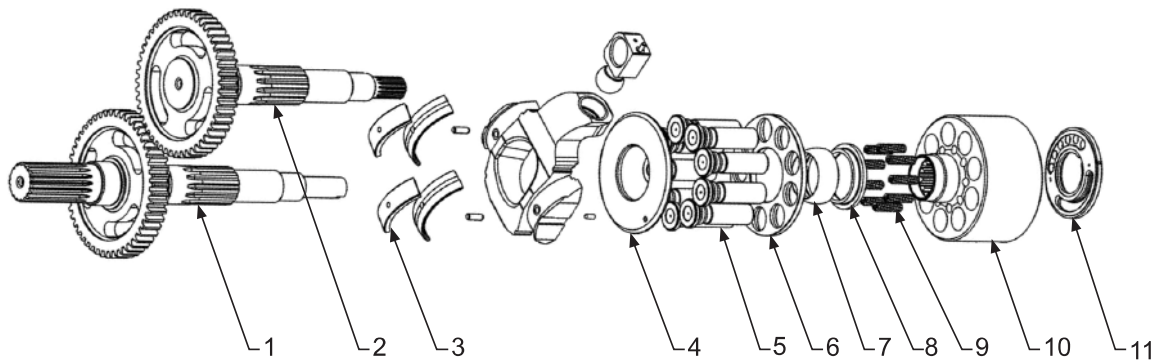




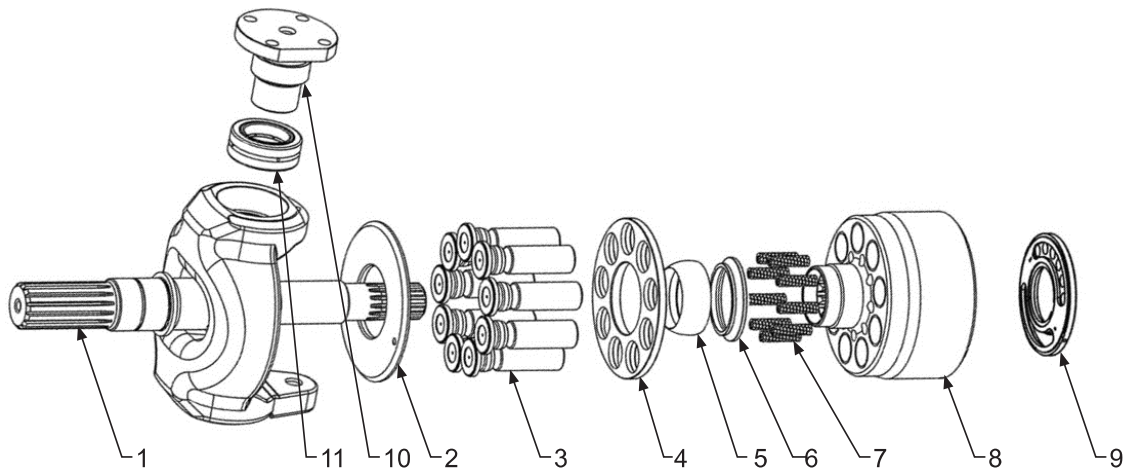
CATERPILLAR CAT320C MAIN PUMP



Index	Description	Quantity	Notes	Index	Description	Quantity	Notes
1	Drive Shaft Front 主轴	1		9	Block Spring 小弹簧	18	
2	Drive Shaft Rear 副轴	1		10	Cylinder Block 缸体	2	
3	Saddle Bearing 轴瓦	4		11	Valve Plate L/R 配油盘(左/右)	2	
4	Thrust Plate 止推板	2					
5	Piston Shoe 柱塞滑靴	18					
6	Retainer Plate 回程盘	2					
7	Ball Guide 球铰	2					
8	Retainer Washer 垫圈	2					



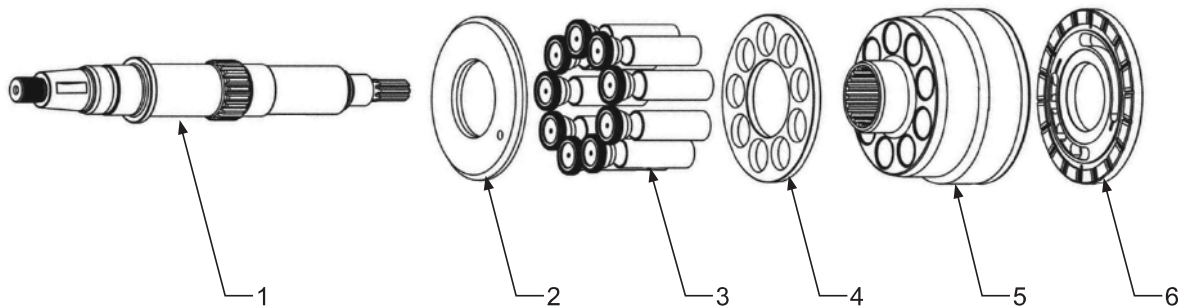
CATERPILLAR CAT320 MAIN PUMP AP-12 SERIES



Index	Description	Quantity	Notes	Index	Description	Quantity	Notes
1	Drive Shaft F/R 传动轴(主/副)	1		9	Valve Plate L/R 配油盘(左/右)	2	
2	Thrust Plate 止推板	2		10	Axle Shaft 轴承座	4	
3	Piston Shoe 柱塞滑靴	18		11	Eye Bearing 牛眼轴承	4	
4	Retainer Plate 回程盘	2					
5	Ball Guide 球铰	2					
6	Retainer Washer 垫圈	2					
7	Block Spring 小弹簧	18					
8	Cylinder Block 缸体	2					



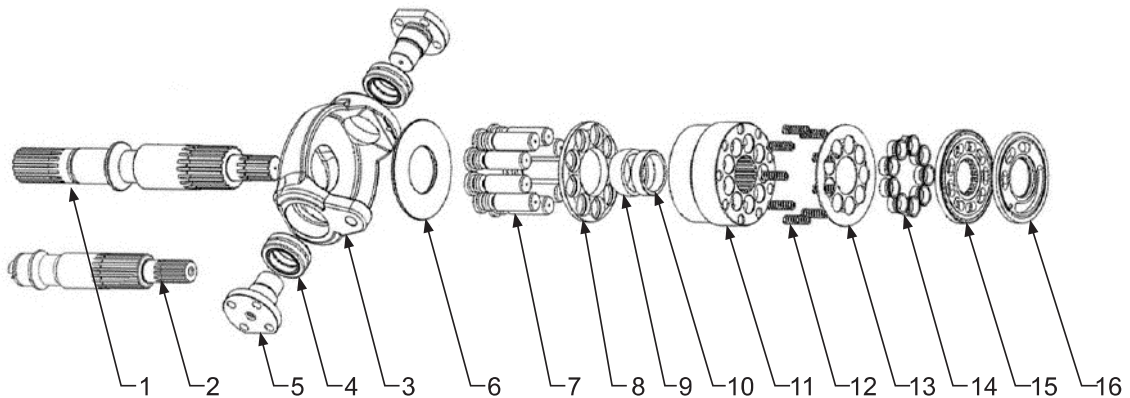
CATERPILLAR CAT12G,14G,16G, CAT215,225,235,245



Index	Description	Quantity	Notes	Index	Description	Quantity	Notes
1	Drive Shaft 传动轴	1					
2	Thrust Plate 止推板	1					
3	Piston Shoe 柱塞滑靴	9					
4	Retainer Plate 回程盘	1					
5	Cylinder Block 缸体	1					
6	Valve Plate L/R 配油盘(左/右)	1					



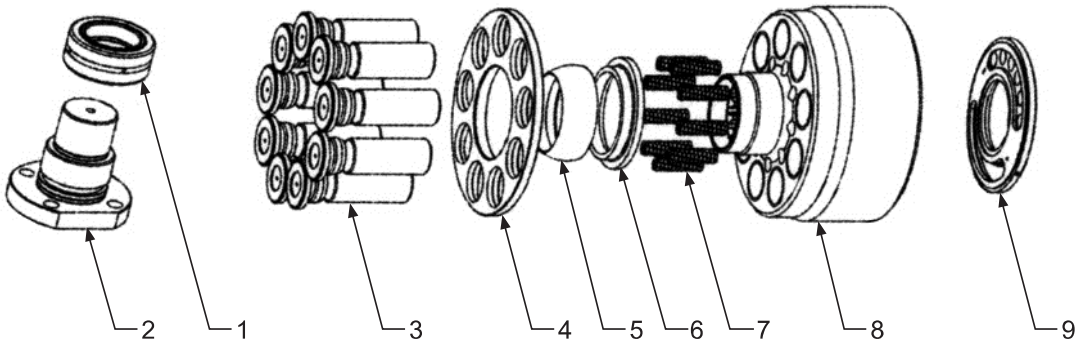
CATERPILLAR E200B MS180 MAIN PUMP, CAT SPK10-10 SPV10/10



Index	Description	Quantity	Notes	Index	Description	Quantity	Notes
1	Drive Shaft Front 主轴	1		9	Ball Guide 球铰	2	
2	Drive Shaft Rear 副轴	1		10	Retainer Washer 垫圈	2	
3	Swash Plate 摇摆	1		11	Cylinder Block 缸体	2	
4	Eye Bering 牛眼轴承	4		12	Block Spring 小弹簧	18	
5	Axle Shaft 轴承座	4		13	Retainer Plate 回程盘	2	
6	Thrust Plate 止推板	2		14	Drum Seal 配流套	18	
7	Piston Shoe 柱塞滑靴	18		15	Bearing Plate 衬板	2	
8	Retainer Plate 回程盘	2		16	Valve Plate L/R 配油盘(左/右)	2	



CATERPILLAR NEW E200B SERIES

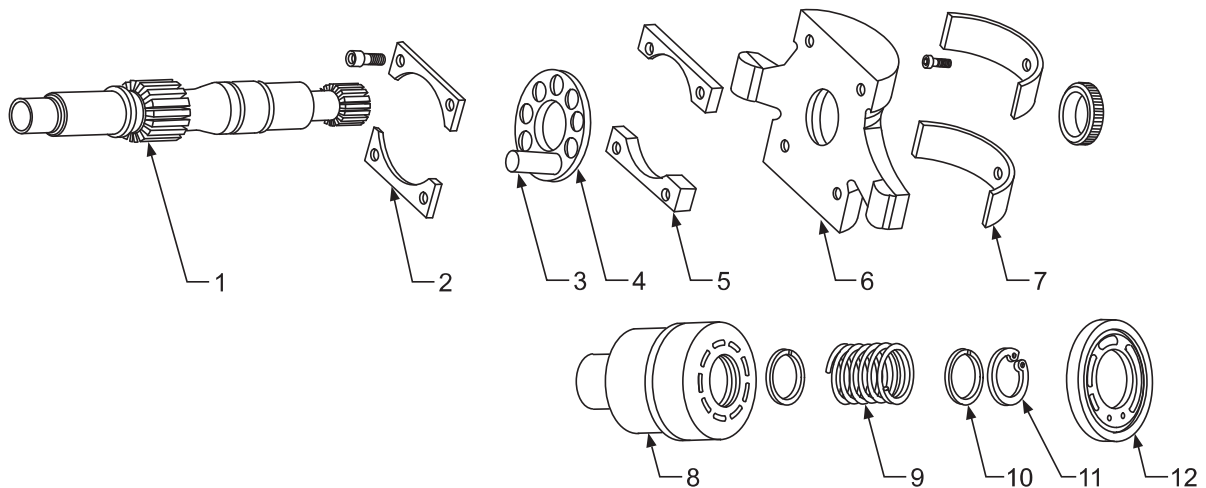


Index	Description	Quantity	Notes	Index	Description	Quantity	Notes
1	Eye Bearing 牛眼轴承	2		9	Valve Plate L/R 配油盘(左/右)	1	
2	Axle Shaft 轴承座	2					
3	Piston Shoe 柱塞滑靴	9					
4	Retainer Plate 回程盘	1					
5	Ball Guide 球铰	1					
6	Retainer Washer 垫圈	1					
7	Block spring 小弹簧	9					
8	Cylinder Block 缸体	1					

VICKERS 威克式系列



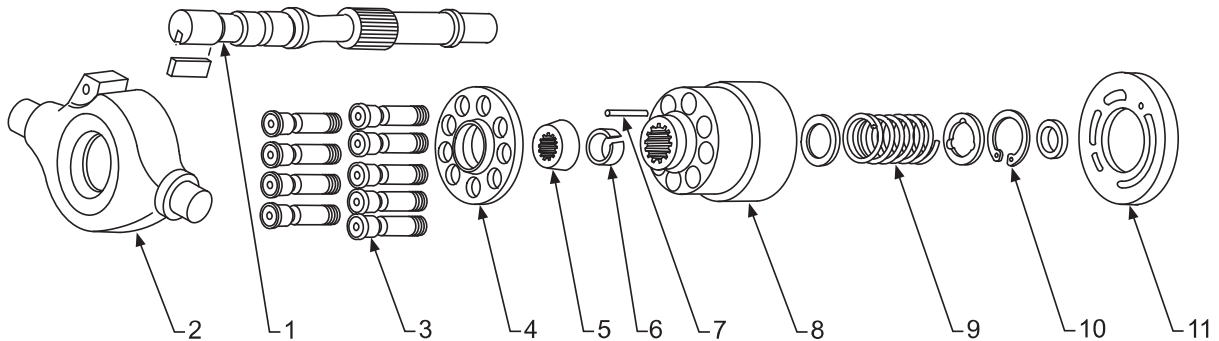
VICKERS PVH57, PVH74, PVH98, PVH131(PVE27, PVE35, PVE47, PVE62)



Index	Description	Quantity	Notes	Index	Description	Quantity	Notes
1	Drive Shaft 传动轴	1		9	Coil Spring 大弹簧	1	
2	Limiter 压板	2		10	Washer 垫片	2	
3	Piston Shoe 柱塞滑靴	9		11	Snap Ring 卡簧	1	
4	Retainer Plate 回程盘	1		12	Valve Plate L/R 配油盘(左/右)	1	
5	Spacer 压板座	2					
6	Swash Plate 摇摆	1					
7	Saddle Bearing 轴瓦	2					
8	Cylinder Block 缸体	1					



VICKERS PVE19,PVE21

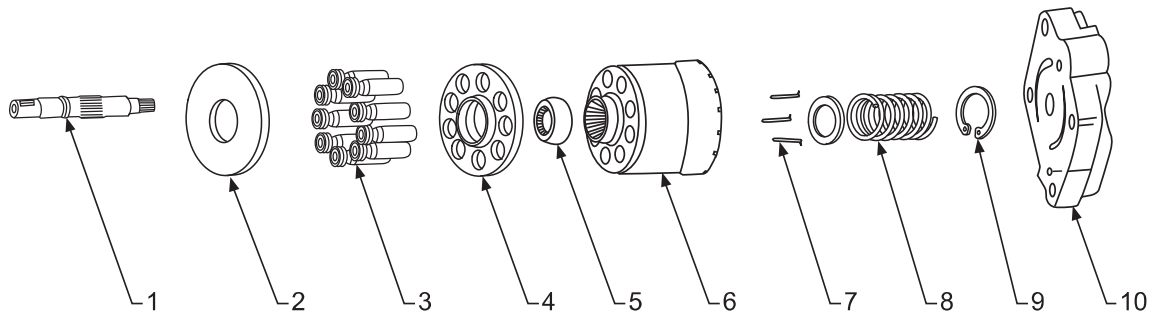


Index	Description	Quantity	Notes	Index	Description	Quantity	Notes
1	Drive Shaft 传动轴	1		9	Coil Spring 大弹簧	1	
2	Swash Plate 摇摆	1		10	Snap Ring 卡簧	1	
3	Piston Shoe 柱塞滑靴	9		11	Valve Plate L/R 配油盘(左/右)	1	
4	Retainer Plate 回程盘	1					
5	Ball Guide 球铰	1					
6	Retainer Washer 垫圈	1					
7	Press Pin 顶针	3					
8	Cylinder Block 缸体	1					

VICKERS 威克式系列



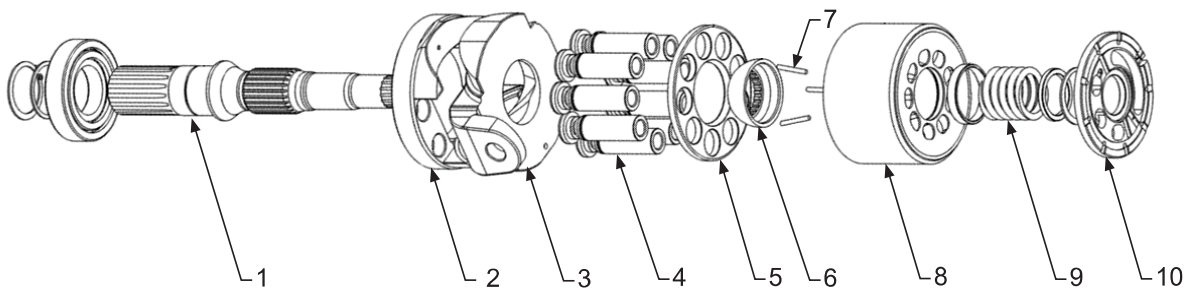
VICKERS PVB5,PVB6,PVB10,PVB15,PVB20,PVB29



Index	Description	Quantity	Notes	Index	Description	Quantity	Notes
1	Drive Shaft 传动轴	1		9	Snap Ring 卡簧	1	
2	Thrust Plate 止推板	1		10	Valve Plate L/R 配油盘(左/右)	1	
3	Piston Shoe 柱塞滑靴	9					
4	Retainer Plate 回程盘	1					
5	Ball Guide 球铰	1					
6	Cylinder Block 缸体	1					
7	Press Pin 顶针	3					
8	Coil Spring 大弹簧	1					



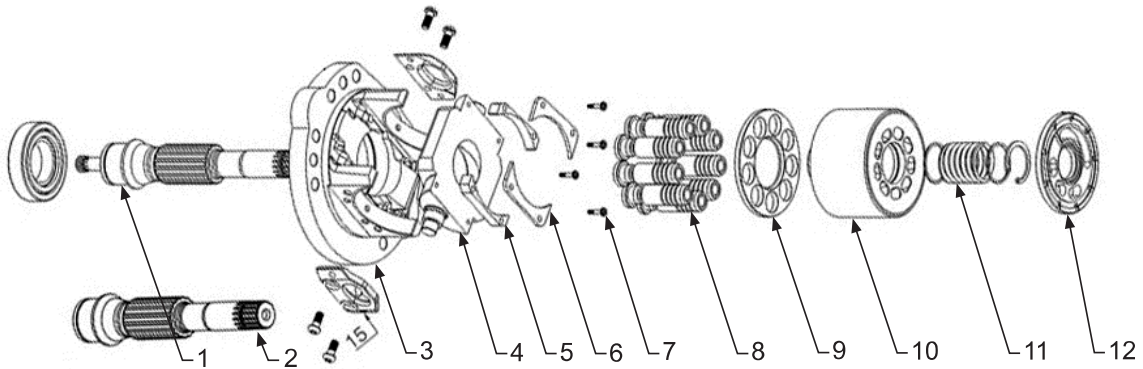
KOMATSU HPV95, HPV132 SERIES (PC60-7, PC200/220-6/7, PC300-6/7, PC350-7, PV400) MAIN PUMP



Index	Description	Quantity	Notes	Index	Description	Quantity	Notes
1	Drive Shaft F/R 传动轴(主/副)	2		9	Coil Spring 大弹簧	2	
2	Support F/R 摇摆座(主/副)	2		10	Valve Plate L/R 配油盘(左/右)	2	
3	Swash Plate 摇摆	2					
4	Piston Shoe 柱塞滑靴	18					
5	Retainer Plate 回程盘	2					
6	Ball Guide 球铰	2					
7	Press Pin 顶针	6					
8	Cylinder Block 缸体	2					



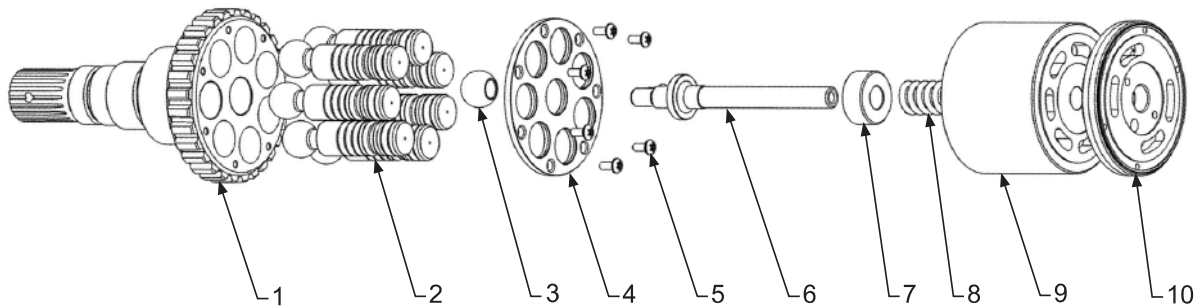
**KOMATSU HPV35,HPV55,HPV90,HPV160
(PC60/120/200-3/5, PC400/PC650 MAIN PUMP)**



Index	Description	Quantity	Notes	Index	Description	Quantity	Notes
1	Drive Shaft F 主轴	1		9	Retainer Plate 回程盘	2	
2	Drive Shaft R 副轴	1		10	Cylinder Block 缸体	2	
3	Support 摇摆座	2		11	Coil Spring 大弹簧	2	
4	Swash Plate 摇摆	2		12	Valve Plate L/R 配油盘(左/右)	2	
5	Spacer 垫块	2					
6	Retainer 压板	2					
7	Screw 螺钉	8					
8	Piston Shoe 柱塞滑靴	18					



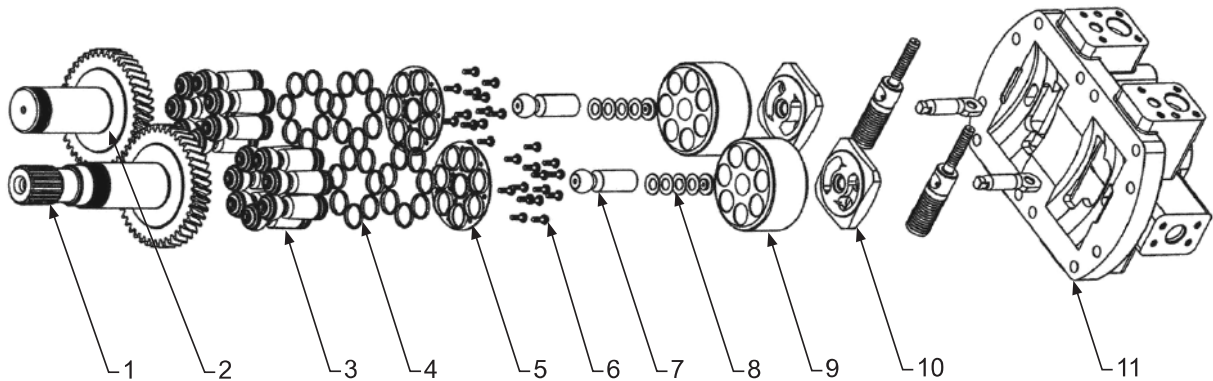
KOMATSU KMF90, KMF160, KPV90, KPV105



Index	Description	Quantity	Notes	Index	Description	Quantity	Notes
1	Drive Shaft 传动轴	1		9	Cylinder Block 缸体	1	
2	Piston 柱塞	7		10	Valve Plate 配油盘	1	
3	Ball Guide 球铰	1					
4	Set Plate 压板	1					
5	Screw 螺钉	7					
6	Center Pin 中心轴	1					
7	Washer 垫片	1					
8	Coil Spring 大弹簧	1					



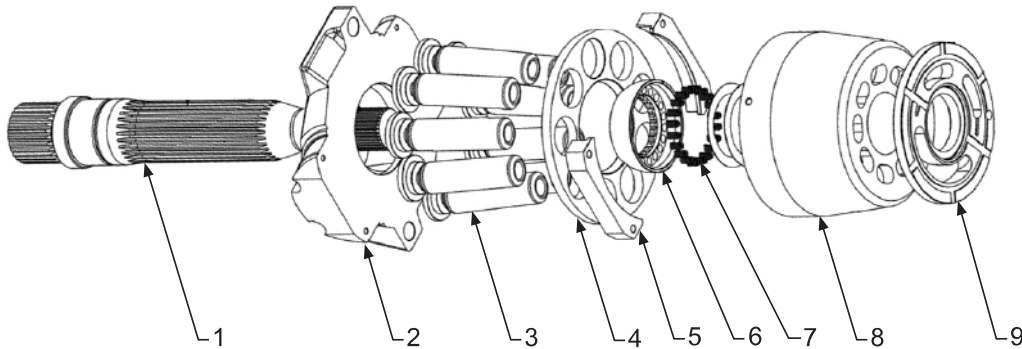
REXROTH A8VO55,A8VO80,A8VO107,A8VO200



Index	Description	Quantity	Notes	Index	Description	Quantity	Notes
1	Main Shaft 主轴	1		9	Cylinder Block 缸体	2	
2	Drive Shaft 副轴	1		10	Valve Plate L/R 配油盘(左/右)	2	
3	Piston 凌圈柱塞	14		11	Head Cover 后盖	1	
4	Ring 凌圈	28					
5	Set Plate 压板	2					
6	Screw 螺钉	28					
7	Center Pin 中心轴	2					
8	Disc Spring 碟形弹簧	8					



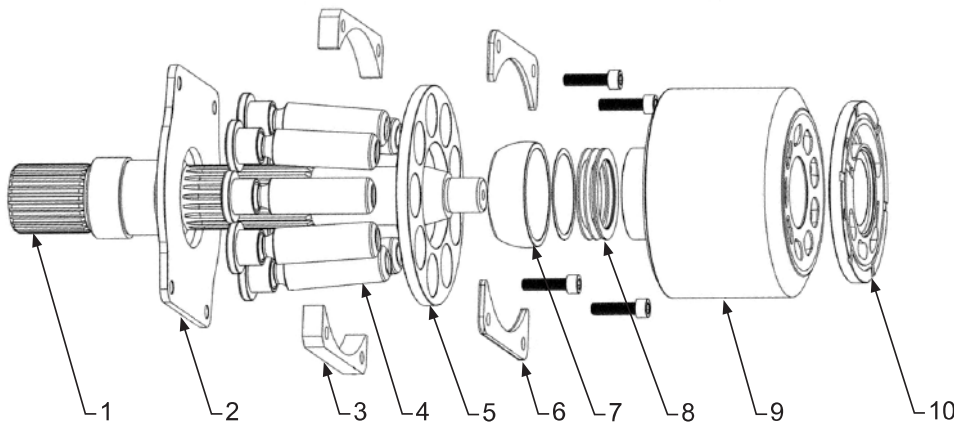
REXROTH A11VO50,75,95,130,190,200,250,260



Index	Description	Quantity	Notes	Index	Description	Quantity	Notes
1	Drive Shaft 传动轴	1		9	Valve Plate L/R 配油盘(左/右)	1	
2	Swash Plate 摇摆	1					
3	Piston Shoe 柱塞滑靴	9					
4	Retainer Plate 回程盘	1					
5	Retainer 压板	2					
6	Ball Guide 球铰	1					
7	Block Spring 小弹簧	20					
8	Cylinder Block 缸体	1					



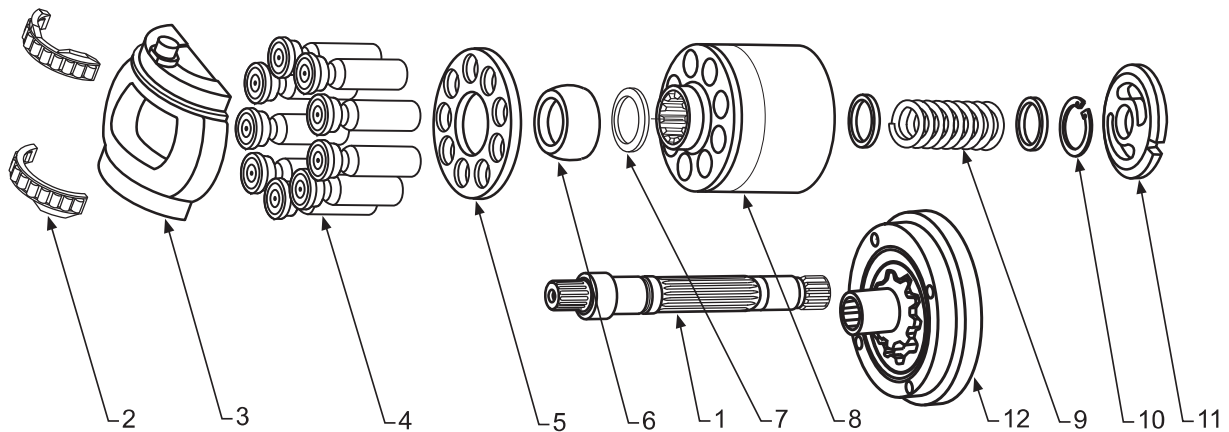
REXROTH A4VSO40,71,125,180,250,355,500



Index	Description	Quantity	Notes	Index	Description	Quantity	Notes
1	Drive Shaft 传动轴	1		9	Cylinder Block 缸体	1	
2	Thrust Plate 止推板	1		10	Valve Plate L/R 配油盘(左/右)	1	
3	Retainer 压板	2					
4	Piston Shoe 柱塞滑靴	9					
5	Retainer Plate 回程盘	1					
6	Spacer 压板座	2					
7	Ball Guide 球铰	1					
8	Disc Spring 碟形弹簧	4					



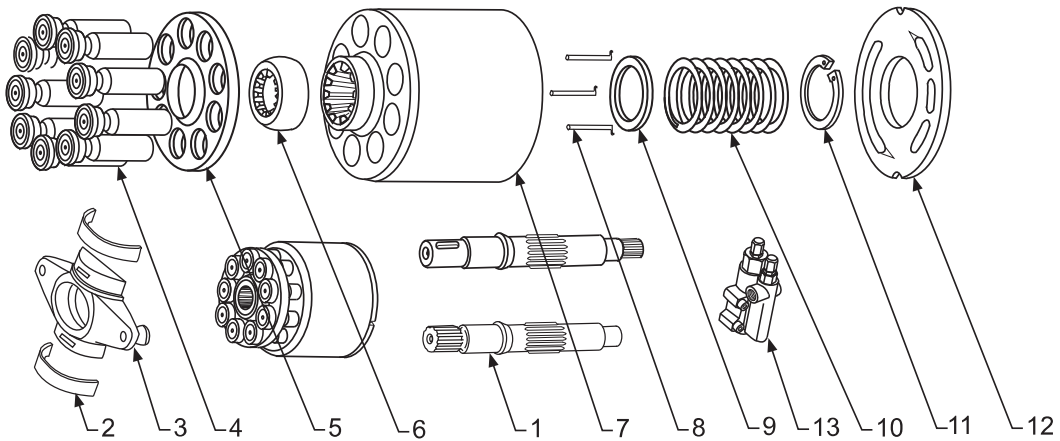
REXROTH A4VG28,40,45,56,71,90,125,180,250



Index	Description	Quantity	Notes	Index	Description	Quantity	Notes
1	Drive Shaft 传动轴	1		9	Coil Spring 大弹簧	1	
2	Saddle Bearing 月牙轴承	2		10	Snap Ring 卡簧	1	
3	Swash Plate 摇摆	1		11	Valve Plate L/R 配油盘(左/右)	1	
4	Piston Shoe 柱塞滑靴	9		12	Charge Pump 补油泵	1	
5	Retainer Plate 回程盘	1					
6	Ball Guide 球铰	1					
7	Retainer Washer 垫圈	1					
8	Cylinder Block 缸体	1					



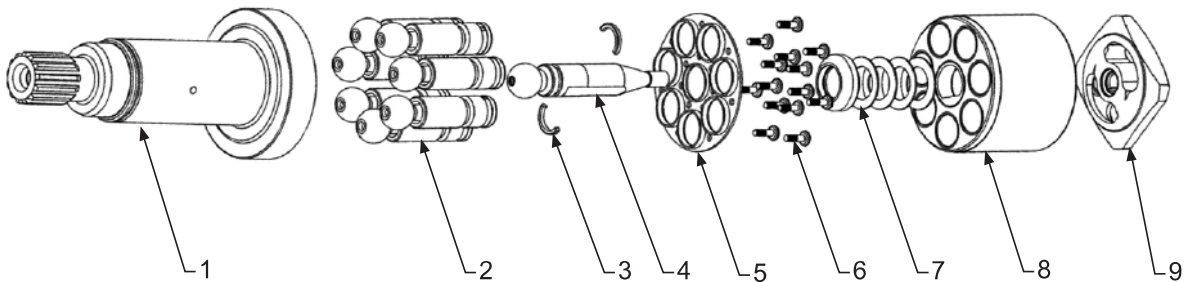
REXROTH A10VSO18,28,45,71,100,140



Index	Description	Quantity	Notes	Index	Description	Quantity	Notes
1	Drive Shaft 传动轴	1		9	Washer 垫圈	1	
2	Saddle Bearing 轴瓦	2		10	Coil Spring 大弹簧	1	
3	Swash Plate 摇摆	1		11	Snap Ring 卡簧	1	
4	Piston Shoe 柱塞滑靴	9		12	Valve Plate L/R 配油盘(左/右)	1	
5	Retainer Plate 回程盘	1		13	DFR Controller DFR阀	1	
6	Ball Guide 球铰	1					
7	Cylinder Block 缸体	1					
8	Press Pin 顶针	3					



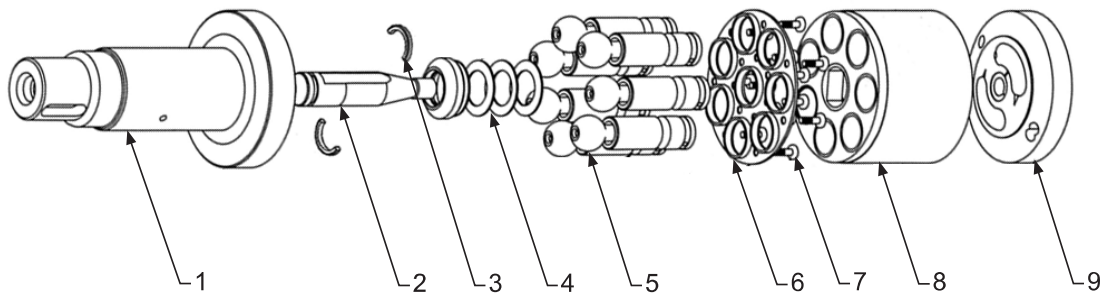
REXROTH A6V/A7V/A8V28,55,80,107,125,160,355, 500



Index	Description	Quantity	Notes	Index	Description	Quantity	Notes
1	Drive Shaft 传动轴	1		9	Valve Plate 配油盘	1	
2	Piston 柱塞	7					
3	Half Ring 哈夫环	2					
4	Center Pin 中心轴	1					
5	Set Plate 压板	1					
6	Screw 螺钉	14					
7	Disc Spring 碟形弹簧	4					
8	Cylinder Block 缸体	1					



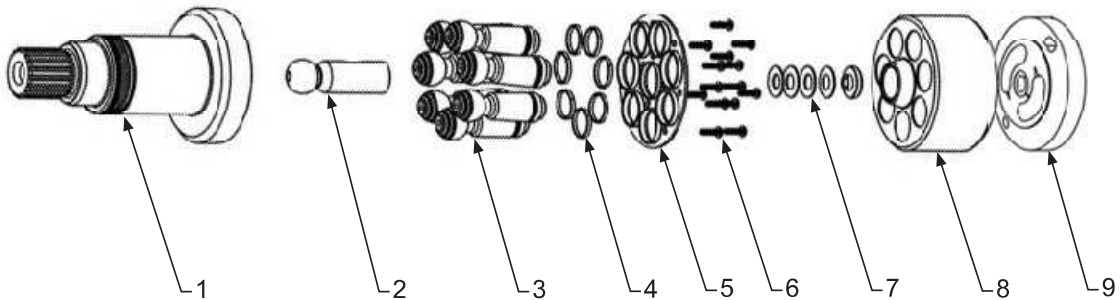
REXROTH A2F12,23,28,55,80,107,160,180,200,225,250,355,500,1000



Index	Description	Quantity	Notes	Index	Description	Quantity	Notes
1	Drive Shaft 传动轴	1		9	Valve Plate L/R/M 配油盘(左/右/马)	1	
2	Center Pin 中心轴	1					
3	Half Ring 哈夫环	2					
4	Disc Spring 碟形弹簧	4					
5	Piston 柱塞	7					
6	Set Plate 压板	1					
7	Screw 螺钉	14					
8	Cylinder Block 缸体	1					



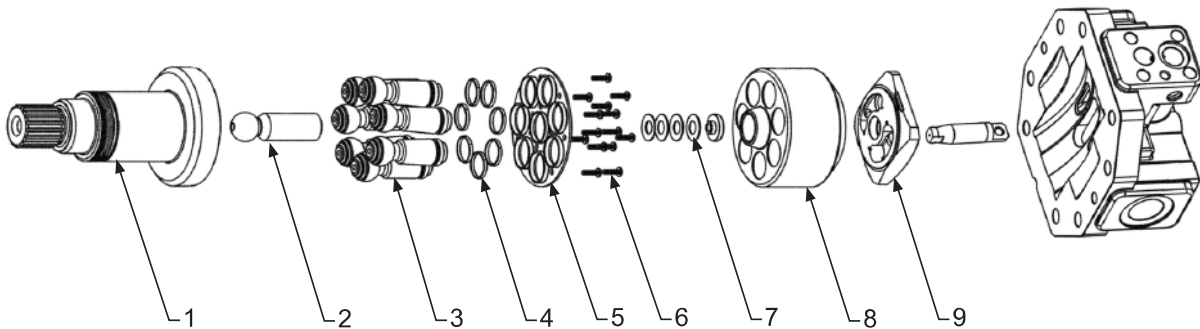
REXROTH A2FO28,56,63,80,90,107,125,180,200,225,355,500



Index	Description	Quantity	Notes	Index	Description	Quantity	Notes
1	Drive Shaft 传动轴	1		9	Valve Plate L/R/M 配油盘(左/右/马)	1	
2	Center Pin 中心轴	1					
3	Piston 凌圈柱塞	7					
4	Ring 凌圈	14					
5	Set Plate 压板	1					
6	Screw 螺钉	14					
7	Disc Spring 碟形弹簧	4					
8	Cylinder Block 缸体	1					



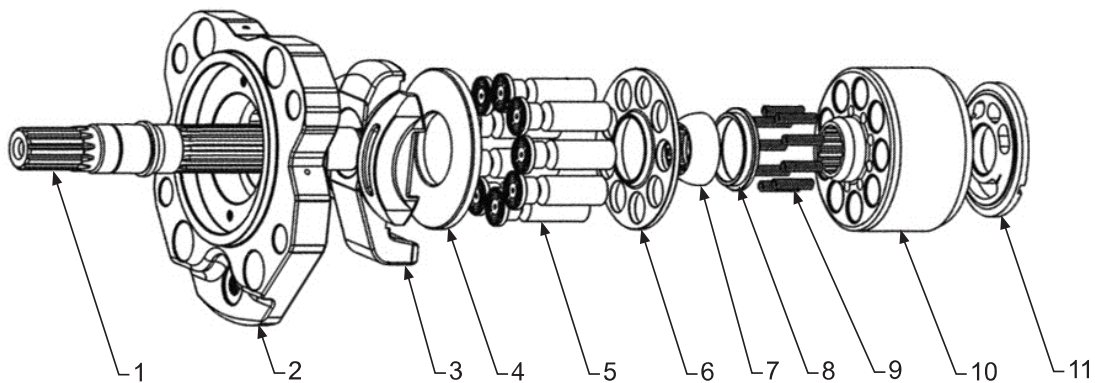
REXROTH A6VM12,28,55,80,160,200,250,355,500



Index	Description	Quantity	Notes	Index	Description	Quantity	Notes
1	Drive Shaft 传动轴	1		9	Valve Plate 配油盘	1	
2	Center Pin 中心轴	1					
3	Piston 柱塞	7					
4	Ring 凌圈	14					
5	Set Plate 压板	1					
6	Screw 螺钉	14					
7	Disc Spring 碟形弹簧	4					
8	Cylinder Block 缸体	1					



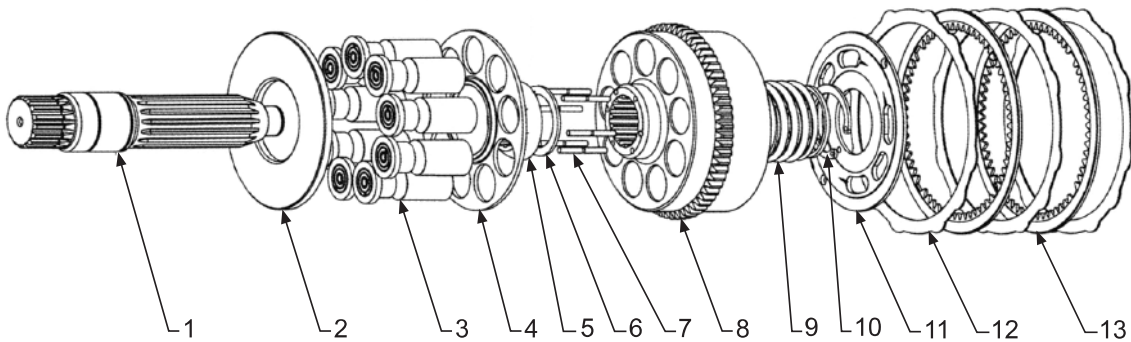
KAWASAKI K3V63,112,140,180,DT/BDT K5V140



Index	Description	Quantity	Notes	Index	Description	Quantity	Notes
1	Drive Shaft F/R 传动轴(主/副)	1		9	Block Spring 小弹簧	18	
2	Support 摇摆座	2		10	Cylinder Block 缸体	2	
3	Swash Plate 摇摆	2		11	Valve Plate L/R 配油盘(左/右)	2	
4	Thrust Plate 止推板	2					
5	Piston Shoe 柱塞滑靴	18					
6	Retainer Plate 回程盘	2					
7	Ball Guide 球铰	2					
8	Retainer Washer 垫圈	2					



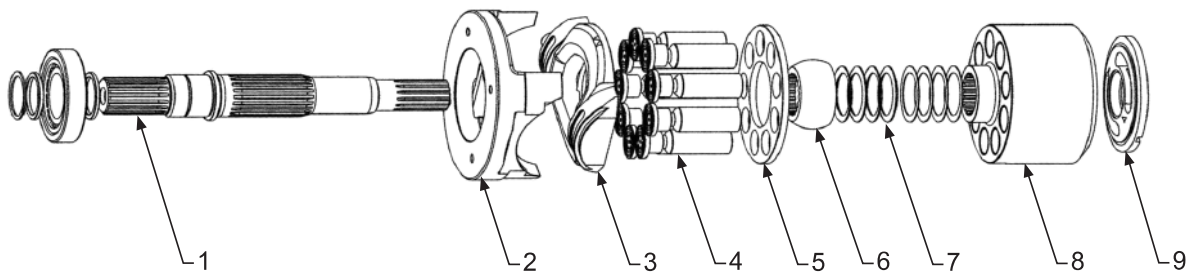
KAWASAKI M2X63,96,120,146,150,170,210



Index	Description	Quantity	Notes	Index	Description	Quantity	Notes
1	Drive Shaft F/R 传动轴(主/副)	1		9	Coil Spring 大弹簧	1	
2	Thrust Plate 止推板	1		10	Snap Ring 卡簧	1	
3	Piston Shoe 柱塞滑靴	9		11	Valve Plate 配油盘	1	
4	Retainer Plate 回程盘	1		12	Separation Plate 分隔片	3	
5	Ball Guide 球铰	1		13	Friction Plate 摩擦片	2	
6	Retainer Washer 垫圈	1					
7	Press Pin 顶针	6					
8	Cylinder Block 缸体	1					



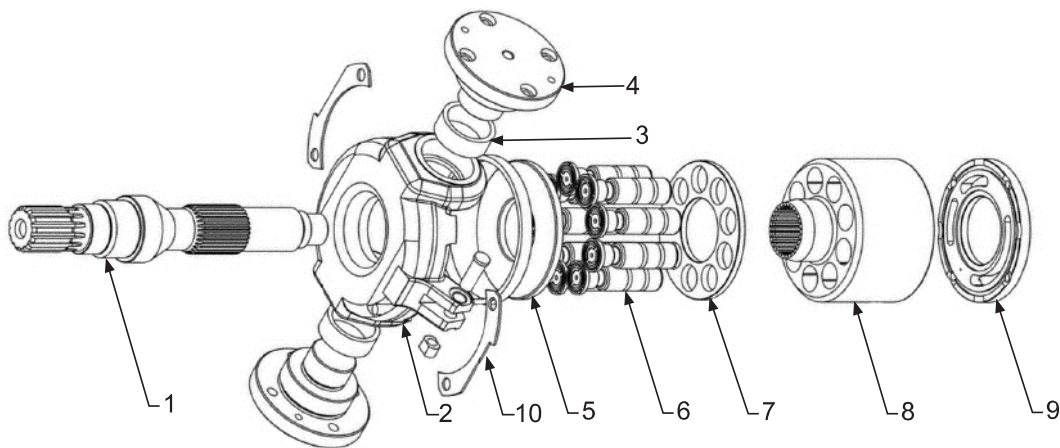
KAWASAKI NV64,70,80,84,111,120,137,172,210,237,270,UH055-7



Index	Description	Quantity	Notes	Index	Description	Quantity	Notes
1	Drive Shaft F/R 传动轴(主/副)	1		9	Valve Plate L/R 配油盘(左/右)	2	
2	Support 摇摆座	2					
3	Swash Plate 摇摆	2					
4	Piston Shoe 柱塞滑靴	18					
5	Retainer Plate 回程盘	2					
6	Ball Guide 球铰	2					
7	Disc Spring 碟形弹簧	8					
8	Cylinder Block 缸体	2					



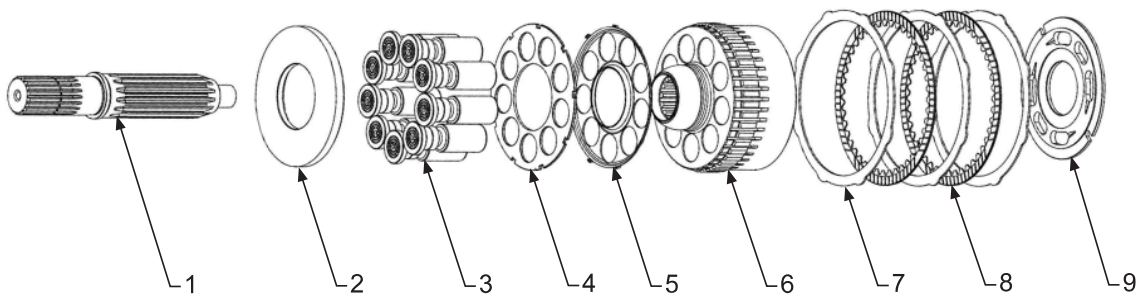
KAWASAKI KVC925,930,932



Index	Description	Quantity	Notes	Index	Description	Quantity	Notes
1	Drive Shaft 传动轴	1		9	Valve Plate L/R 配油盘(左/右)	1	
2	Swash Plate 摇摆	1		10	Retainer 压板	2	
3	Bush 铜套	2					
4	Axle Shaft 轴承座	2					
5	Thrust Plate 止推板	1					
6	Piston Shoe 柱塞滑靴	9					
7	Retainer Plate 回程盘	1					
8	Cylinder Block 缸体	1					



KAWASAKI M5X130,160,180

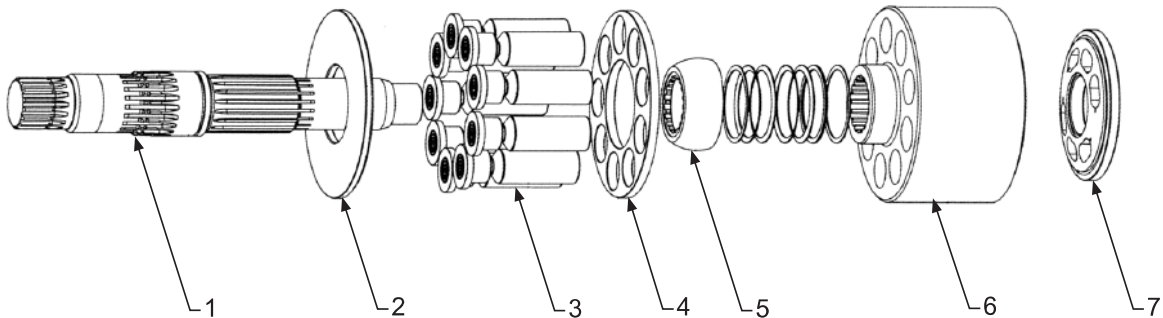


Index	Description	Quantity	Notes	Index	Description	Quantity	Notes
1	Drive Shaft 传动轴	1		9	Valve Plate 配油盘	1	
2	Thrust Plate 止推板	1					
3	Piston Shoe 柱塞滑靴	9					
4	Retainer Plate 回程盘	1					
5	Spring Plate 弹性压板	1					
6	Cylinder Block 缸体	1					
7	Separation Plate 分隔片	3					
8	Friction Plate 摩擦片	2					

KAWASAKI 川崎系列



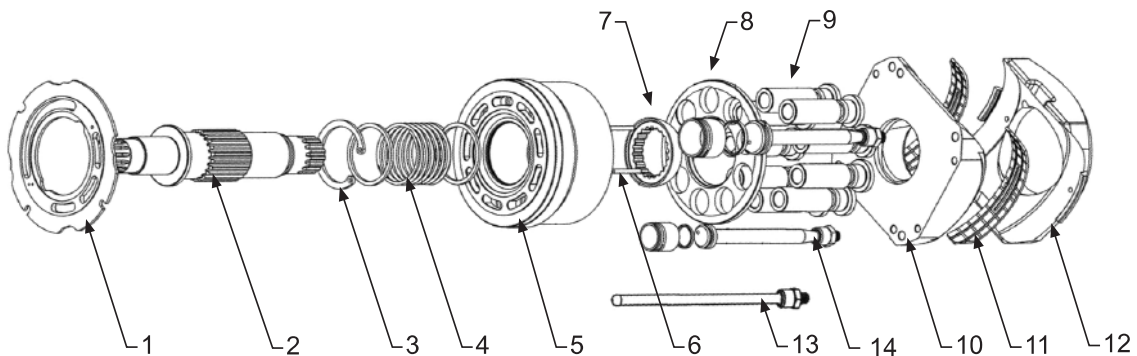
KAWASAKI MX150,173,200,250,500,530



Index	Description	Quantity	Notes	Index	Description	Quantity	Notes
1	Drive Shaft 传动轴	1					
2	Thrust Plate 止推板	1					
3	Piston Shoe 柱塞滑靴	9					
4	Retainer Plate 回程盘	1					
5	Ball Guide 球铰	1					
6	Cylinder Block 缸体	1					
7	Valve Plate 配油盘	1					



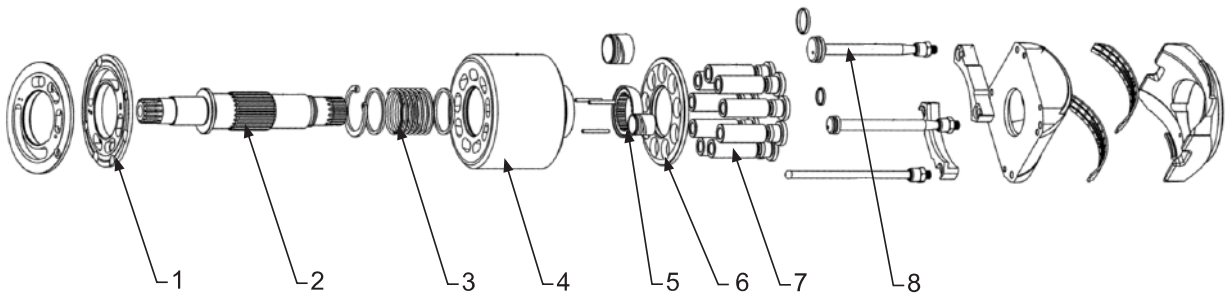
LINDE HPR75, HPR90, HPR100



Index	Description	Quantity	Notes	Index	Description	Quantity	Notes
1	Valve Plate L/R 配油盘(左/右)	1		9	Piston Shoe 柱塞滑靴	9	
2	Drive Shaft 传动轴	1		10	Swash Plate 摇摆	1	
3	Snap Ring 卡簧	1		11	Saddle Bearing 轴瓦	2	
4	Coil Spring 大弹簧	1		12	Support 摇摆座	1	
5	Cylinder Block 缸体	1		13	Servo Piston Long 大活塞拉杆	1	
6	Press Pin 顶针	3		14	Servo Piston Short 小活塞拉杆	1	
7	Ball Guide 球铰	1					
8	Retainer Plate 回程盘	1					



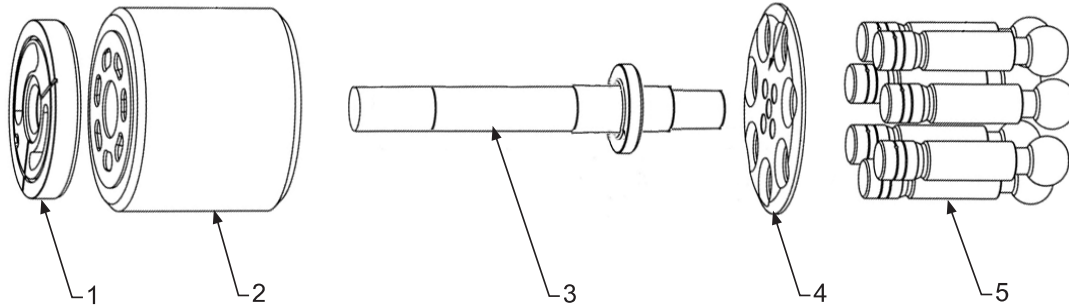
LINDE HPR130, HPR160



Index	Description	Quantity	Notes	Index	Description	Quantity	Notes
1	Valve Plate L/R 配油盘(左/右)	1					
2	Drive Shaft 传动轴	1					
3	Coil Spring 大弹簧	1					
4	Cylinder Block 缸体	1					
5	Ball Guide 球铰	1					
6	Retainer Plate 回程盘	1					
7	Piston Shoe 柱塞滑靴	9					
8	Servo Piston 活塞拉杆	3					



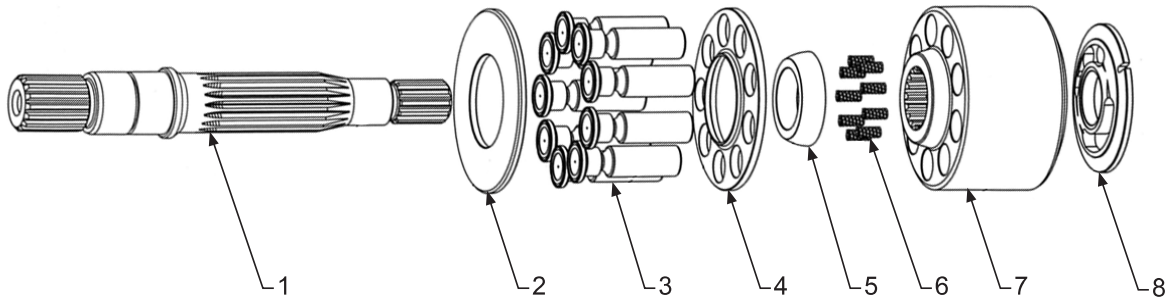
LINDE B2PV50,75,105,140,BPV35,50,70



Index	Description	Quantity	Notes	Index	Description	Quantity	Notes
1	Valve Plate L/R 配油盘(左/右)	1					
2	Cylinder Block 缸体	1					
3	Center Pin 中心轴	1					
4	Retainer Plate 回程盘	1					
5	Piston 柱塞	7					



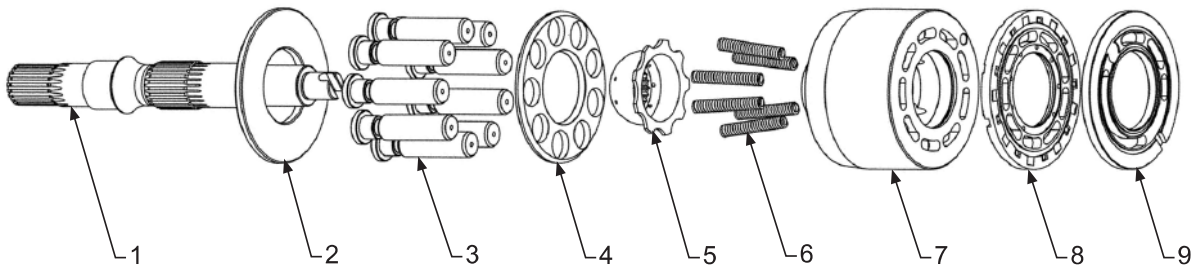
LIEBHERR LPVD64,75,90,100,125,140,150



Index	Description	Quantity	Notes	Index	Description	Quantity	Notes
1	Drive shaft 传动轴	1					
2	Thrust Plate 止推板	1					
3	Piston Shoe 柱塞滑靴	9					
4	Retainer Plate 回程盘	1					
5	Ball Guide 球铰	1					
6	Block Spring 小弹簧	9					
7	Cylinder Block 缸体	1					
8	Valve Plate L/R 配油盘(左/右)	1					



SAUR SUNDSTRAND PV20,PV21,PV22,PV23,PV24,PV25,PV26

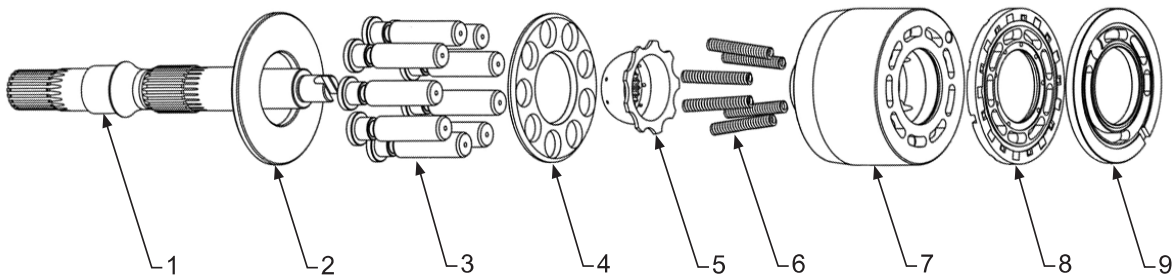


Index	Description	Quantity	Notes	Index	Description	Quantity	Notes
1	Drive Shaft 传动轴	1		9	Valve Plate L/R/M 配油盘(左/右/马)	1	
2	Thrust Plate 止推板	1					
3	Piston Shoe 柱塞滑靴	9					
4	Retainer Plate 回程盘	1					
5	Ball Guide 球铰	1					
6	Block Spring 小弹簧	6					
7	Cylinder Block 缸体	1					
8	Bearing Plate 衬板	1					

SAUR SUNDSTRAND 萨澳系列



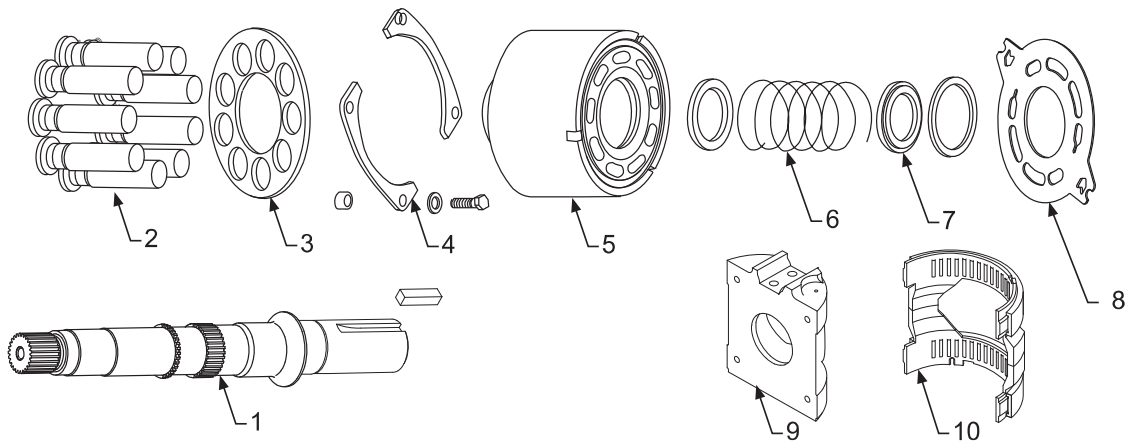
SAUR SUNDSTRAND SPV6-119



Index	Description	Quantity	Notes	Index	Description	Quantity	Notes
1	Drive Shaft 传动轴	1		9	Valve Plate L/R 配油盘(左/右)	1	
2	Thrust Plate 止推板	1					
3	Piston Shoe 柱塞滑靴	9					
4	Retainer Plate 回程盘	1					
5	Ball Guide 球铰	1					
6	Block Spring 小弹簧	6					
7	Cylinder Block 缸体	1					
8	Bearing Plate 衬板	1					



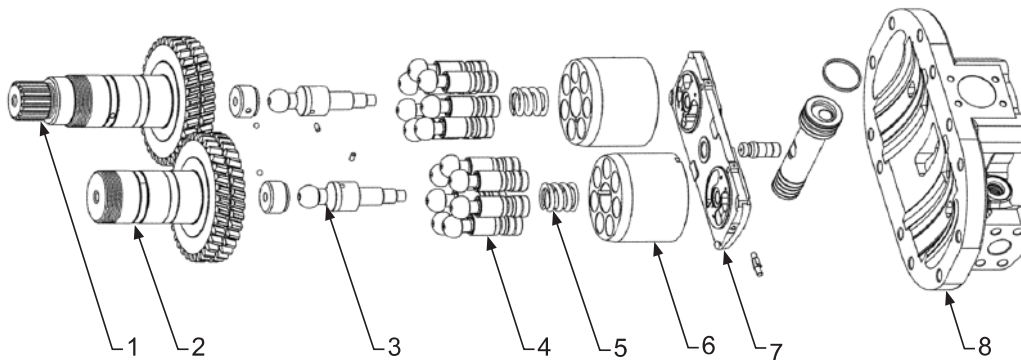
SAUR SUNDSTRAND PV90R42,55,75,100, 130, 180, 250



Index	Description	Quantity	Notes	Index	Description	Quantity	Notes
1	Drive Shaft 传动轴	1		9	Swash Plate 摇摆	1	
2	Piston Shoe 柱塞滑靴	9		10	Saddle Bearing 月牙轴承	1	
3	Retainer Plate 回程盘	1					
4	Retainer 压板	2					
5	Cylinder Block 缸体	1					
6	Coil Spring 大弹簧	1					
7	Washer 垫片	1					
8	Valve Plate L/R/M 配油盘(左/右/马)	1					



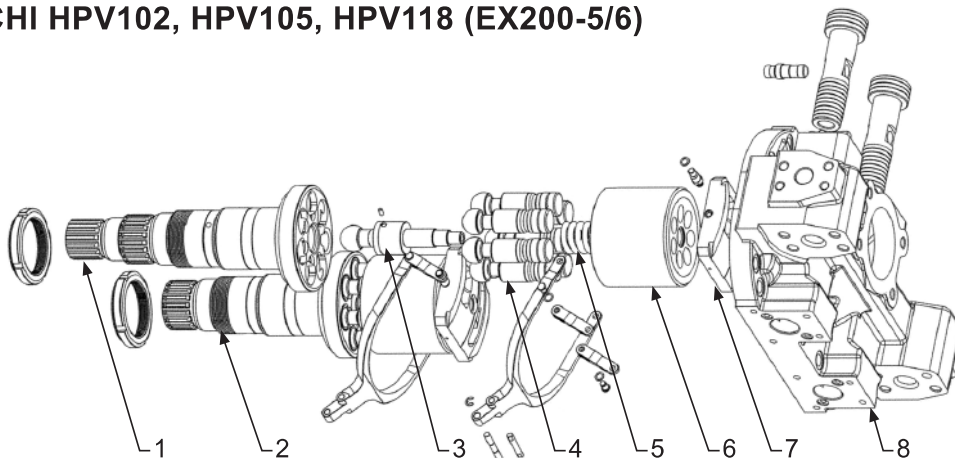
HITACHI HPV091 (EX200-2/3, EX120-2)



Index	Description	Quantity	Notes	Index	Description	Quantity	Notes
1	Main Shaft 主轴	1					
2	Drive Shaft 副轴	1					
3	Center Pin 中心轴	2					
4	Piston 连杆柱塞	14					
5	Coil Spring 大弹簧	2					
6	Cylinder Block 缸体	2					
7	Valve Plate 配油盘	1					
8	Head Cover 后盖	1					



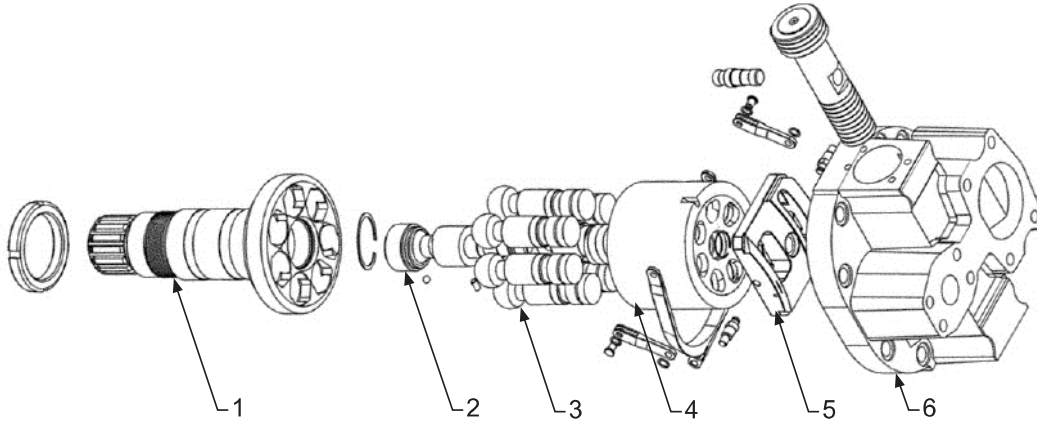
HITACHI HPV102, HPV105, HPV118 (EX200-5/6)



Index	Description	Quantity	Notes	Index	Description	Quantity	Notes
1	Main Shaft 主轴	1					
2	Drive Shaft 副轴	1					
3	Center Pin 中心轴	2					
4	Piston 连杆柱塞	14					
5	Coil Spring 大弹簧	2					
6	Cylinder Block 缸体	2					
7	Valve Plate L/R 配油盘(左/右)	2					
8	Head Cover 后盖	1					



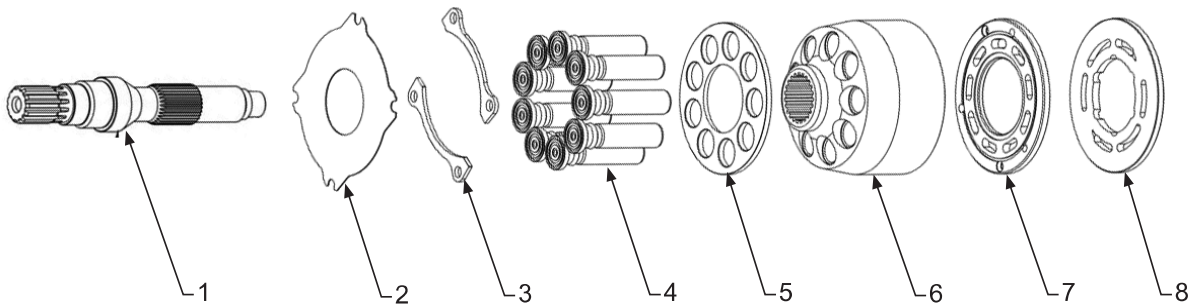
HITACHI HPV116, HPV135, HPV145(EX200-1, EX300-1/2/3)



Index	Description	Quantity	Notes	Index	Description	Quantity	Notes
1	Drive Shaft 传动轴	1					
2	Center Pin 中心轴	1					
3	Piston 连杆柱塞	7					
4	Cylinder Block 缸体	1					
5	Valve Plate L/R 配油盘(左/右)	1					
6	Head Cover 后盖	1					



EATON 3331-006/007,4621,5421,6423

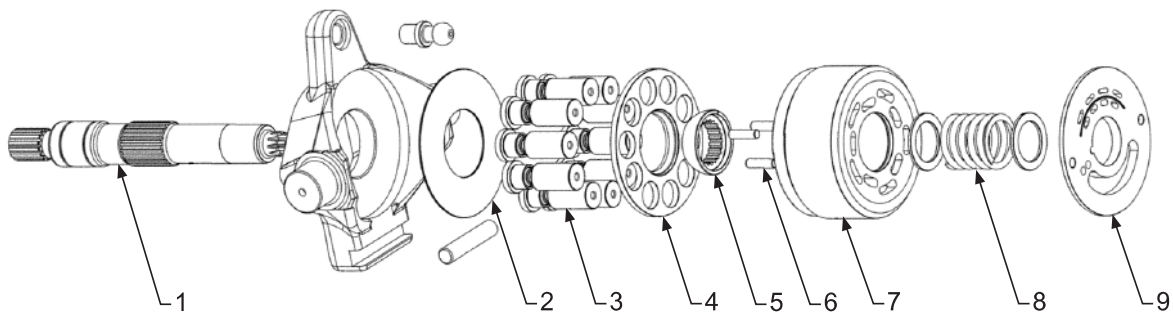


Index	Description	Quantity	Notes	Index	Description	Quantity	Notes
1	Drive Shaft 传动轴	1					
2	Thrust Plate 止推板	1					
3	Retainer 压板	2					
4	Piston Shoe 柱塞滑靴	9					
5	Retainer Plate 回程盘	1					
6	Cylinder Block 缸体	1					
7	Bearing Plate 衬板	1					
8	Valve Plate L/R/M 配油盘(左/右/马)	1					

UCHIDA 内田系列



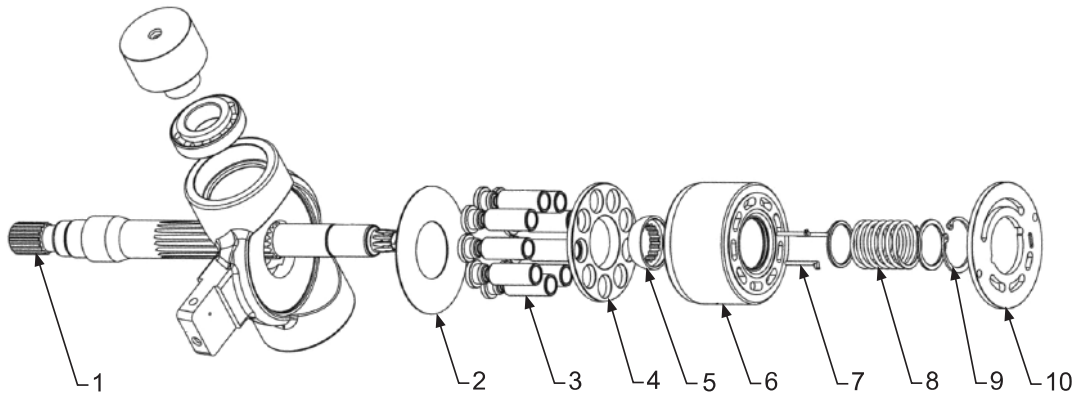
UCHIDA AP2D12,AP2D21,AP2D25,AP2D36,AP2D38,AP2D42



Index	Description	Quantity	Notes	Index	Description	Quantity	Notes
1	Drive Shaft 传动轴	2		9	Valve Plate L/R 配油盘(左/右)	2	
2	Thrust Plate 止推板	2					
3	Piston Shoe 柱塞滑靴	10					
4	Retainer Plate 回程盘	2					
5	Ball Guide 球铰	2					
6	Press Pin 顶针	6					
7	Cylinder Block 缸体	2					
8	Coil Spring 大弹簧	2					



UCHIDA A10VD17,A10VD23,A10VD28,A10VD40,A10VD43,A10VD71

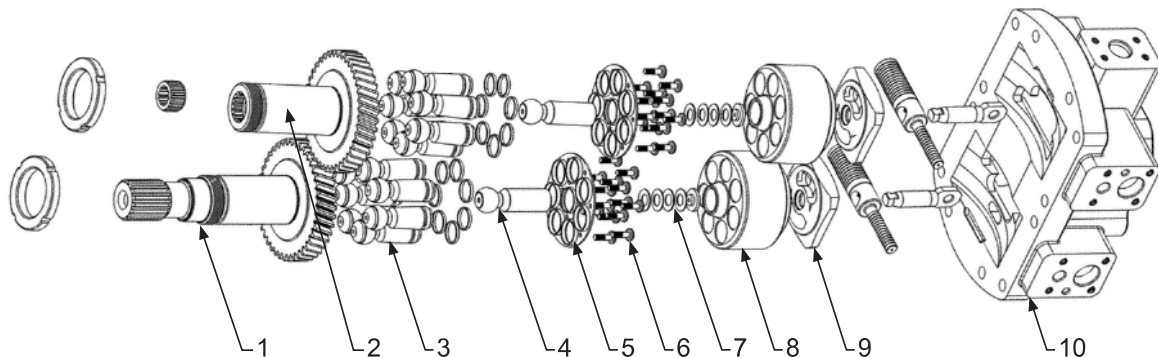


Index	Description	Quantity	Notes	Index	Description	Quantity	Notes
1	Drive Shaft 传动轴	2		9	Snap Ring 卡簧	2	
2	Thrust Plate 止推板	2		10	Valve Plate L/R 配油盘(左/右)	2	
3	Piston Shoe 柱塞滑靴	18					
4	Retainer Plate 回程盘	2					
5	Ball Guide 球铰	2					
6	Cylinder Block 缸体	2					
7	Pressure Pin 顶针	6					
8	Coil Spring 大弹簧	2					

UCHIDA 内田系列



UCHIDA A8V55,80,86,107,115,160,172



Index	Description	Quantity	Notes	Index	Description	Quantity	Notes
1	Main Shaft 主轴	1		9	Valve Plate L/R 配油盘(左/右)	1	
2	Drive Shaft 副轴	1		10	Head Cover 后盖	1	
3	Piston 凌圈柱塞	14					
4	Center Pin 中心轴	2					
5	Set Plate 压板	2					
6	Socket Bolt 螺钉	28					
7	Disc Spring 碟形弹簧	8					
8	Cylinder Block 缸体	2					